

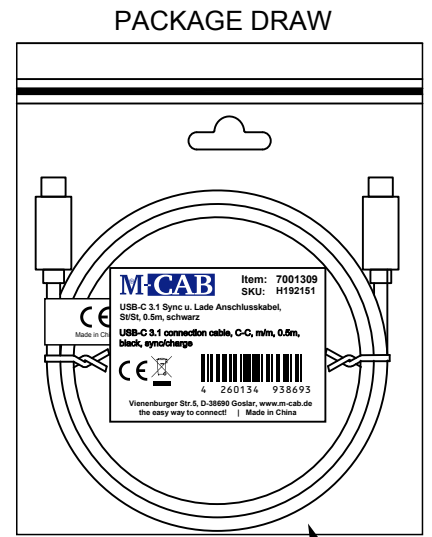
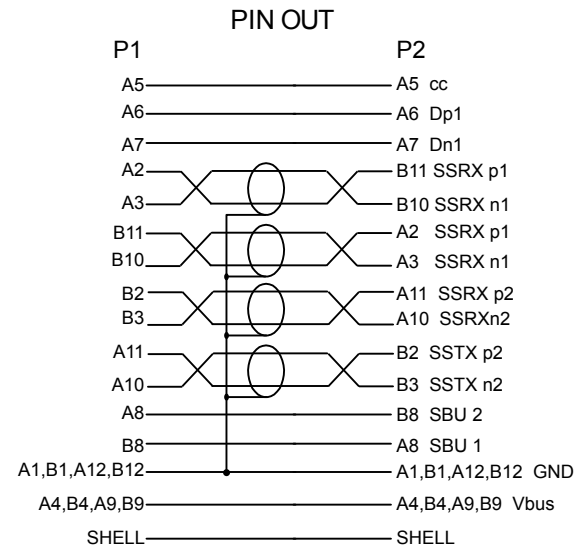
NOTES:

- Electrical properties:
- 100% open and short test.
 - Pass Total Phase Advanced Cable Tester test.
 - The maximum current: 3A(1M)
 - Conductor resistance: 3 OHMS.
 - Insulation resistance: 10M OHMS.
 - Hi-Pot: DC200V/0.01/S.

ROHS 2.0 and REACH compliant.

MODEL LIST

Model	Length
7001309	500±20mm
7001315	1000±20mm
6060015	1500±20mm



MATERIAL LIST

⑦	PACKAGE	PE ZIP BAG+ BARCODE STICKER	1
⑥	PRINTING	High Speed USB3.1 Cable AWM STYLE 2725 80 C 30V VW-1	
④	CABLE	(7/0.08TC*1P+AM)*4PCS+7/0.08TC*1P+7/0.08TC*4C+34/0.10TC*2C+AM +PVC, OD:4.5±0.2mm, COLOR: BLACK	L
④	MOLD HOOD	BLACK PVC	1
③	MOLD HOOD	BLACK PVC	1
②	CONNECTOR	USB 3.1 TYPE-C MALE, GOLD PLATED PIN, NICKEL PLATED SHELL	1
①	CONNECTOR	USB 3.1 TYPE-C MALE, GOLD PLATED PIN, NICKEL PLATED SHELL	1
No.	PART NAME	DESCRIPTION	QTY

DRAW No.		NAME	USB3.1 TYPE-C CABLE	
CUSTOMER		M-CAB	MAPE	TOLERANCE
MODEL No.		SEE MODEL LIST		X. ±1.00 X.X ±0.50
APPROVE BY	CHECK BY	DRAW BY	SCALE	MM
			PAGE	1/1