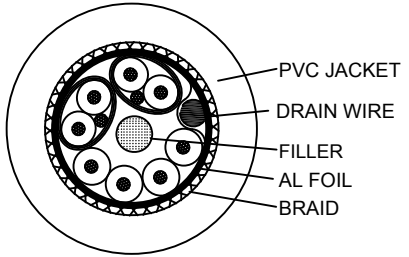


NOTES:

- Electrical properties:
- 100% open and short test.
 - Pass Total Phase Advanced Cable Tester test.
 - Conductor resistance: 3 OHMS.
 - Insulation resistance: 10M OHMS.
 - Hi-Pot: DC200V/0.01/S.

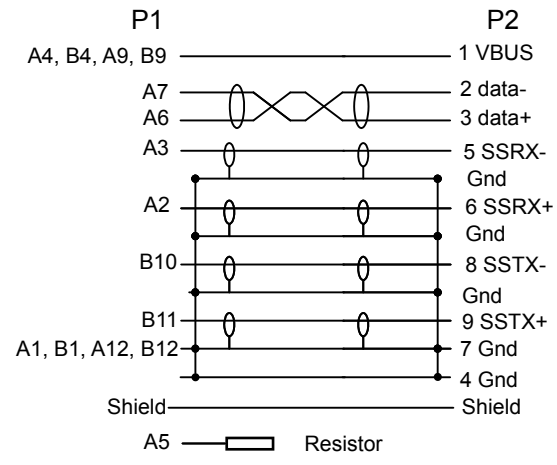
ROHS 2.0 and REACH compliant.



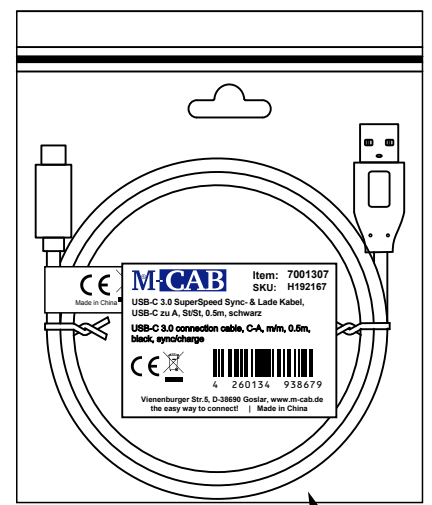
MODEL LIST

Model	Length
7001307	500±20mm
7001308	1000±20mm
6060014	1500±20mm

PIN OUT



PACKAGE DRAW



MATERIAL LIST

⑦	PACKAGE	PE ZIP BAG+ BARCODE STICKER	1
⑥	PRINTING	High Speed USB3.0 Cable AWM STYLE 2725 80°C 30V VW-1	
⑤	CABLE	(7/0.08TC*1P+7/0.08TC+AM)*2PCS+7/0.08TC*1P+34/0.10TC*2C+7/0.12BC+96/0.12ALMG+PVC, OD:4.5±0.2mm, COLOR: BLACK	L

④	MOLD HOOD	BLACK PVC	1	DRAW No.		NAME	USB3.1 TYPE-C/M to USB3.0 A/M CABLE		
③	MOLD HOOD	BLACK PVC	1	CUSTOMER	M-CAB		MAPE	TOLERANCE	
②	CONNECTOR	USB3.0 A MALE, NICKEL PLATED	1	MODEL No.	SEE MODEL LIST			X. ±1.00	X.X ±0.50
①	CONNECTOR	USB3.1 TYPE-C MALE, NICKEL PLATED	1	APPROVE BY		CHECK BY	DRAW BY	SCALE	MM
No.	PART NAME	DESCRIPTION	QTY					PAGE	1/1